

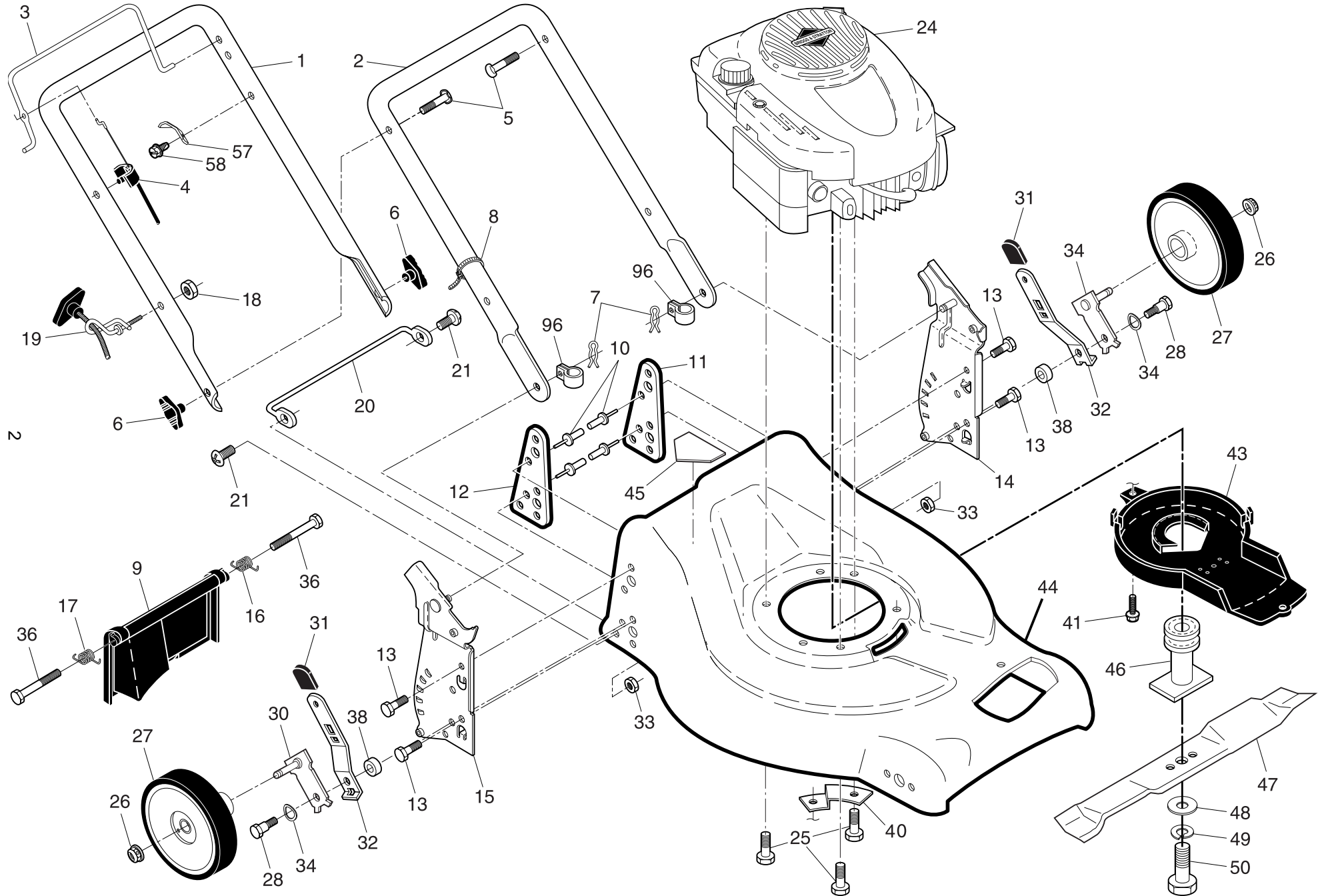
ILLUSTRATED PARTS LIST

MODEL NUMBER M65B53FD

PRODUCT NUMBER 961 41 00-42

MFG. ID. NUMBER 96141014202

ROTARY LAWN MOWER - - MODEL NUMBER M65B53FD (96141014202) PRODUCT NUMBER 961 41 01-42

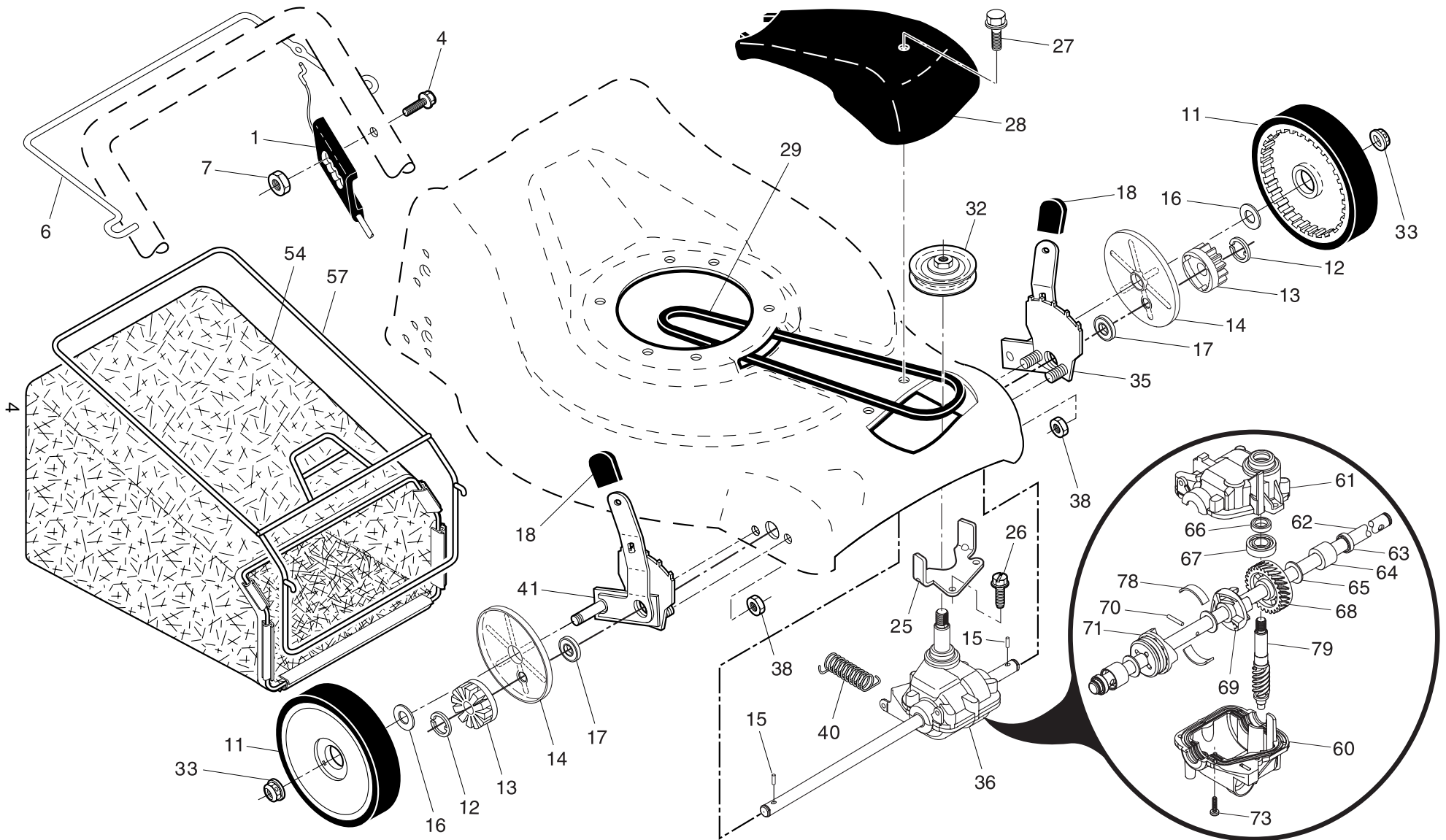


ROTARY LAWN MOWER - - MODEL NUMBER M65B53FD (96141014202) PRODUCT NUMBER 961 41 01-42

KEY NO.	PART NO.	DESCRIPTION	KEY NO.	PART NO.	DESCRIPTION
1	532 19 84-59	Upper Handle	27	532 19 79-85	Wheel & Tire Assembly
2	532 15 36-05	Lower Handle	28	532 40 16-38	Shoulder Bolt 5/16-18 x .33
3	532 19 84-64	Control Bar	30	532 41 21-74	Axle Arm Assembly, Rear
4	532 17 51-48	Engine Zone Control Cable	31	532 08 78-77	Selector Knob
5	532 19 15-74	Handle Bolt	32	532 41 08-88	Selector Spring
6	532 19 19-38	Handle Knob	34	819 40 16-30	Washer
7	532 05 17-93	Hairpin Cotter	36	532 18 41-93	Bolt
8	532 06 64-26	Wire Tie	39	532 40 16-29	Spacer
9	532 40 69-85	Rear Door	40	532 19 09-39	Mounting Bracket, Debris Shield
10	532 12 84-15	Pop Rivet	41	532 19 23-25	Screw
11	532 41 05-40	Support Bracket, LH	43	532 40 58-44	Debris Shield
12	532 41 05-42	Support Bracket, RH	44	532 40 93-64	Kit, Lawn Mower Housing (Includes Key Numbers 10, 11, 12 and 45)
13	817 06 04-10	Screw 1/4-20 x 5/8	45	532 18 21-66	Danger Decal
14	532 19 01-54	Handle Bracket Assembly, LH	46	532 19 77-52	Blade Adapter / Pulley
15	532 19 01-53	Handle Bracket Assembly, RH	47	532 19 93-77	Blade 21"
16	532 40 54-17	Spring, Rear Door, LH	48	532 85 10-74	Hardened Washer
17	532 40 54-18	Spring, Rear Door, RH	49	532 85 02-63	Helical Washer 3/8-24 x 1-3/8 Grade 8
18	532 13 20-04	Keps Locknut 1/4-20	50	532 85 10-84	Hex Head Machine Screw 3/8-24 x 1-3/8 Grade 8
19	532 19 47-88	Rope Guide	57	532 12 51-62	Bracket, Upstop
20	532 41 35-43	Foot Guard, C.E.	58	532 75 06-34	Screw
21	817 49 04-16	Screw, Tapping 1/4-20 x 1/2	96	532 19 79-91	Clip, Cable
22	532 19 85-41	Nut, Hex	--	532 40 93-76	Operator's Manual, European
24	- - -	Engine, B&S, Model Number 124K02 (Order parts from engine manufacturer)	--	532 40 93-77	Operator's Manual, Scandinavian
25	532 15 04-06	Screw, Hex Head, Threaded, Rolled 3/8-16 x 1-1/8	--	532 40 93-78	Operator's Manual, East Bloc
26	532 40 91-48	Hex Flange Nut	--	532 40 93-80	Operator's Manual, Baltic

NOTE: All component dimensions given in U.S. inches. 1 inch = 25.4 mm. **IMPORTANT:** Use only Original Equipment Manufacturer (O.E.M.) replacement parts. Failure to do so could be hazardous, damage your lawn mower and void your warranty.

ROTARY LAWN MOWER - - MODEL NUMBER M65B53FD (96141014202) PRODUCT NUMBER 961 41 01-42



ROTARY LAWN MOWER - - MODEL NUMBER M65B53FD (96141014202) PRODUCT NUMBER 961 41 01-42

KEY NO.	PART NO.	DESCRIPTION	KEY NO.	PART NO.	DESCRIPTION
1	532 40 78-16	Drive Control Assembly (Includes Cable)	36	532 40 48-33	Gearcase Assembly, Complete
4	532 19 96-87	Hex Washer Head Screw 1/4-20 x 2.12	38	873 80 04-00	Locknut, Hex 1/4-20
5	532 19 41-49	V-Belt	40	532 40 65-58	Spring
6	532 19 84-53	Control Bar	41	532 40 88-61	Kit, Wheel Adjuster, RH (Includes Knob and Bearing)
7	532 19 17-30	Nut, Hex, Flanged 1/4-20	54	532 19 52-13	Grassbag Assembly
11	532 19 80-88	Wheel & Tire Assembly	57	532 40 18-02	Frame, Grassbag
12	812 00 00-58	E-Ring	60	532 41 07-34	Case, Lower
13	532 40 38-49	Gear, Pinion	61	532 41 07-26	Case, Upper
14	532 18 94-03	Dust Cover	62	532 41 09-49	Shaft, Output
15	532 40 48-45	Pawl, Drive	63	532 18 35-08	Seal, Output Shaft
16	532 06 77-25	Washer 1/2 x 1-1/2 x .134	64	532 18 35-11	Bushing
17	532 19 10-39	Bearing, Wheel Adjuster	65	532 18 35-09	Washer
18	532 08 78-77	Selector Knob	66	532 18 35-14	Seal, Worm Shaft
25	532 41 16-63	Belt Keeper	67	532 18 35-06	Bearing, Ball
26	532 16 34-09	Screw	68	532 41 07-29	Gear, 28 Teeth
27	532 17 52-62	Pan Head Tapping Screw #10-24 x 2-3/4	69	532 41 07-32	Fixed Dog Clutch
28	532 18 14-68	Drive Cover	70	532 41 07-33	Pin
32	532 19 40-18	Drive Pulley	71	532 41 07-30	Movable Dog Clutch
33	532 40 91-48	Locknut, Hex	73	532 18 35-13	Screw, Case
35	532 40 88-62	Kit, Wheel Adjuster, LH (Includes Knob and Bearing)	78	532 41 07-31	Spring, Leaf
			79	532 41 07-27	Shaft, Worm

NOTE: All component dimensions given in U.S. inches. 1 inch = 25.4 mm. **IMPORTANT:** Use only Original Equipment Manufacturer (O.E.M.) replacement parts. Failure to do so could be hazardous, damage your lawn mower and void your warranty.